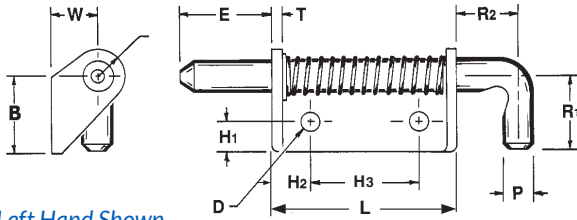
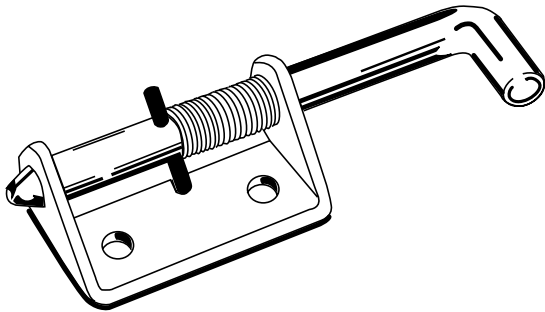


## Heavy Duty Spring Latch Series 720

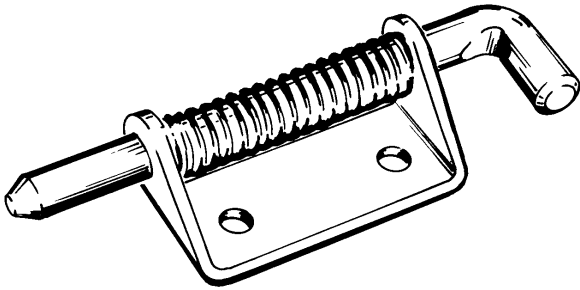


Left Hand Shown

### WITH HOLDBACK:



### WITHOUT HOLDBACK:



The Paneloc heavy-duty 720 Series spring latch features a 1/2" pin diameter. This large, rugged latch is available in steel or stainless steel and has a closed knuckle for added durability and strength. It is ideally suited for truck bodies, utility vehicles, horse trailers and more. The offset body design provides more flexibility with placement on tight applications.

### PIN

|    |                  |       |
|----|------------------|-------|
| P  | Pin Diameter     | .500  |
| *  | E Extension      | 1.50  |
| R1 | Handle Extension | 1.218 |
| R2 | Handle Extension | 1.000 |

### BODY

|    |                 |       |
|----|-----------------|-------|
| L  | Length          | 3.000 |
| W  | Width           | .750  |
| B  | Height          | 1.250 |
| T  | Thickness       | .187  |
| H1 | Hole Location   | .500  |
| H2 | Hole Location   | .625  |
| H3 | Hole Location   | 1.750 |
| *  | D Hole Diameter | .328  |

### MATERIAL

|             |           |
|-------------|-----------|
| Designation |           |
| C           | Stainless |
| S           | Steel     |

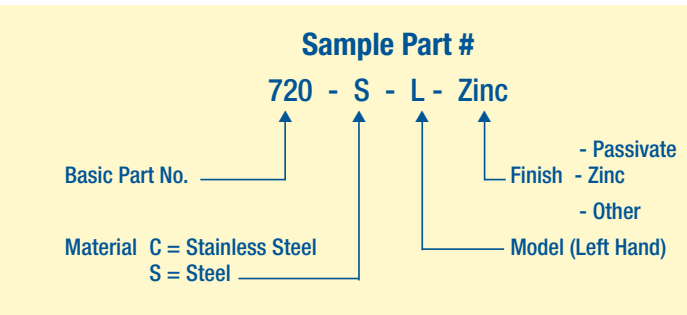
### MODEL

|   |             |
|---|-------------|
| R | Right Hand  |
| L | Left Hand   |
| U | Unassembled |

### FINISH

Most commercial finishes are available including zinc plate on steel, passivate and electropolishing on stainless steel.

### ORDERING INFORMATION



Special forms, offsets, hole sizes or welding projections are available to your specifications.

\*Designates dimensions that can be altered to meet your specifications.