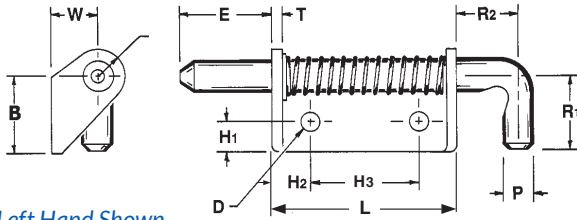
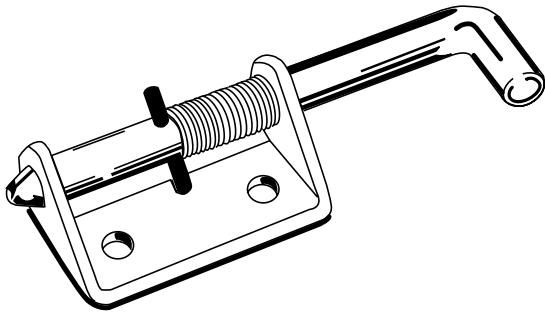


Heavy Duty Spring Latch Series 719

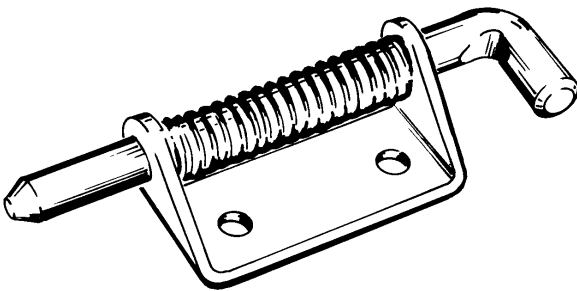


Left Hand Shown

WITH HOLDBACK:



WITHOUT HOLDBACK:



The Paneloc heavy-duty 719 Series spring latch features a 3/8" pin diameter. This large, rugged latch is available in steel or stainless steel and has a closed knuckle for added durability and strength. It is ideally suited for truck bodies, utility vehicles, horse trailers and more. The offset body design provides more flexibility with placement on tight applications.

PIN

P	Pin Diameter	.375
*	E Extension	1.250
R1	Handle Extension	1.187
R2	Handle Extension	.687

BODY

L	Length	2.000
W	Width	.656
B	Height	1.12
T	Thickness	.12
H1	Hole Location	.375
H2	Hole Location	.437
H3	Hole Location	1.125
*	D Hole Diameter	.265

MATERIAL

Designation		MODEL
C	Stainless	R Right Hand
S	Steel	L Left Hand
		U Unassembled

FINISH

Most commercial finishes are available including zinc plate on steel, passivate and electropolishing on stainless steel.

ORDERING INFORMATION

Sample Part #	
719 - S - L - Zinc	
Basic Part No.	Finish - Zinc
Material C = Stainless Steel	Model (Left Hand)
S = Steel	- Passivate
	- Other

Special forms, offsets, hole sizes or welding projections are available to your specifications.

*Designates dimensions that can be altered to meet your specifications.